

# WIEGAND READERS

Wiegand Reader

**AR-721U** (125K)

**AR-721KBX** (125K/MIFARE)

**AR-661U** (125K)

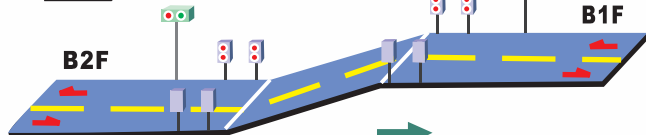
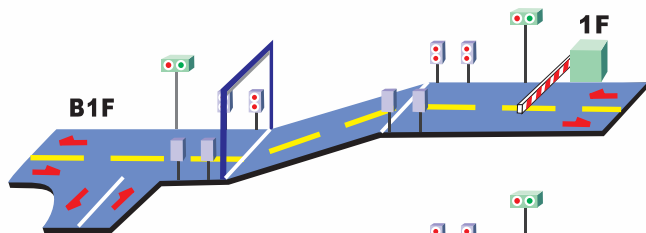
Wiegand / RS-485 Reader

**AR-737H/U** (125K/MIFARE)

- Various programmable output formats WG26/34, ABA-11, ASYNC & OMRON.
- Anti-pass-back available, depending upon system configuration.
- Built-in watchdog to prevent the system from locking up.
- Easily integrated with Soyal or other access control systems.



## PARKING



Multi-door  
Anti-pass-back



## LIFT CONTROL

FC CE  
SOR MA



RAYTEL SECURITY SYSTEMS



### Wiegand Reader **AR-721U**

(Card / Token)  
• Networking • 125K • Waterproof

### Wiegand Reader **AR-721KBX**

(Card / Token + PIN)  
• Networking • 125K • Mifare

### Long-Range Wiegand Reader **AR-661U**

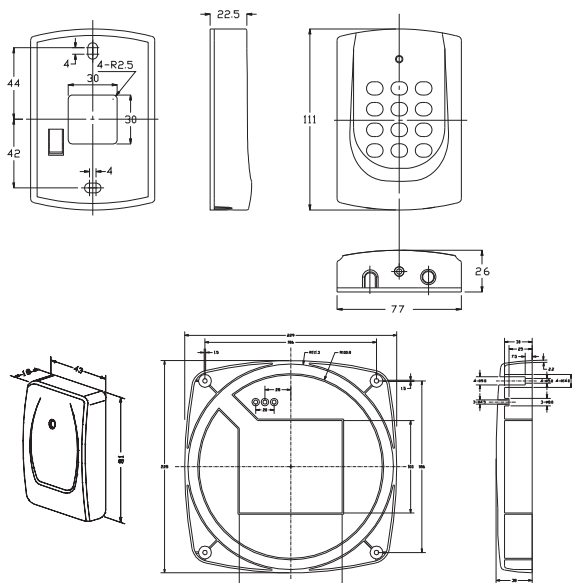
(Card / Token)  
• Networking • 125K  
• Waterproof



Specification			
Mode No.	AR-721U	AR-721KBX	AR661U
RF Frequency	125KHz	* 125KHz / ** 13.56MHz	125KHz
Power Requirement	9-16VDC		
Power Consumption	50mA	* 80mA ** <1W	350mA
Communication Interface	WG 26/34, ABA-II, ASYNC, OMRON		
Baud Rate	9600bps (N, 8, 1)		
Environment	-20°C to +75°C		
Proximity Reading Range	3 - 8cm	* 10 - 18cm ** 3 - 8cm	33 ~ 60cm
Indicator	Bi-colour LED and a beeper	Bi-colour LED and a beeper	Three LED's and a beeper
Keypad	No	Yes	No
Waterproof	*** Yes	No	Yes
Colour	Dark Pearl Grey	Silver	Dark Pearl Grey
Dimensions (mm)	80.5(H) x 43(W) x 18(D)	111(H) x 77(W) x 26(D)	228(H) x 229(W) x 38(D)
Weight (g)	40±5	90±10	1,000±50
Housing material	ABS		

\* 125KHz Version. \*\* 13.56MHz Version. \*\*\* BX3221

### Dimensions



### Wiegand / RS-485 Reader **AR-737H / AR-737U**

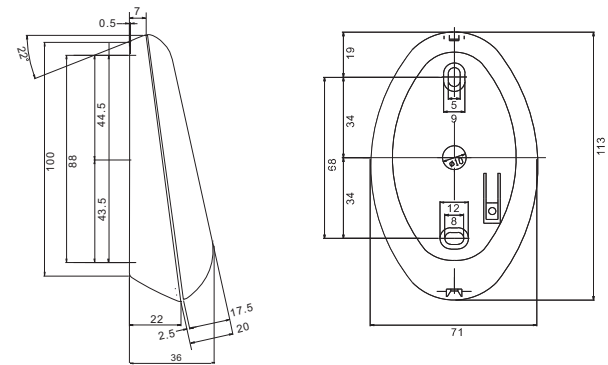
• Networking • 125K • Mifare  
• Waterproof



Specification	
RF Frequency	* 125KHz / ** 13.56MHz
Power Requirement	* 9-16VDC / ** 9-24VDC
Power Consumption	< 1.5W
Communication Interface	RS485 (737H only), TTL Wiegand (737U only) and OMRON
Baud Rate	9600 bps / 19200 bps (N, 8, 1)
Environment	-20°C to +75°C
Compliance	ISO14443A (13.56M only)
Proximity Reading Range	* 12-20cm / ** 3-8cm
Read / Write	* Read Only / ** Read / Write
Supported Tags	* EM4001 / EM4012 Compliant ** Mifare Ultra Light (L10) ** Mifare Standard (S50) ** Mifare Plus (P60)
Indicator	A Bi-coloured LED and a beeper
Waterproof	Yes
Colour	Dark Pearl Gray
Dimensions (mm)	113(H) x 71(W) x 36(D)
Weight (g)	80±10
Housing material	ABS
Door Relay	Use AR-821RB-18

\* 125KHz Version. \*\* 13.56MHz Version

### Dimensions



# SYSTEM ARCHITECTURE

