

SINGLE DOOR KEYPAD ACCESS CONTROLLER

Networking & Stand-alone Keypad Access Controller **K50i Series**

- Programmable Common Code or Individual User Codes
- Standalone or Networkable
- RS 485 port for PC Host
- Anti-pass back with slave Wiegand keypad AR-721KBX
- Event Log
- Tamper switch
- Duress Code
- Adjustable Alarm and Door Relay Times
- Waterproof to IP65
- Real Time Clock
- Standard or Vandal Resistant Format
- AC/DC operating voltage 9-16 volts



The K50i series Access Controller is a fully encapsulated controller with a robust, engraved metal keypad and either a plastic cover for surface mounting or a stainless steel vandal resistant case for surface mounting and a stainless steel front plate that fits onto a standard double gang electrical back box for flush mounting.

The unit has three modes of working, M4, M6 and M8 with M8 being the default mode. In the default mode, M8, the unit memory can hold up to 1024 codes. The event log can hold 1200 events. Anti-pass back can be accomplished by connecting a Wiegand keypad, AR721KBX to the K50i. The controller can be used in standalone mode with or without anti-pass back or, in network mode, connected to a PC host by means of an RS485 link.

The controller electronics and keypad are fully encapsulated to IP65. It also has a built-in door relay plus an alarm relay. A duress code can also be programmed into the unit.

SINGLE DOOR KEYPAD ACCESS CONTROLLER

K50i

Networking & Stand-alone Keypad Access Controller

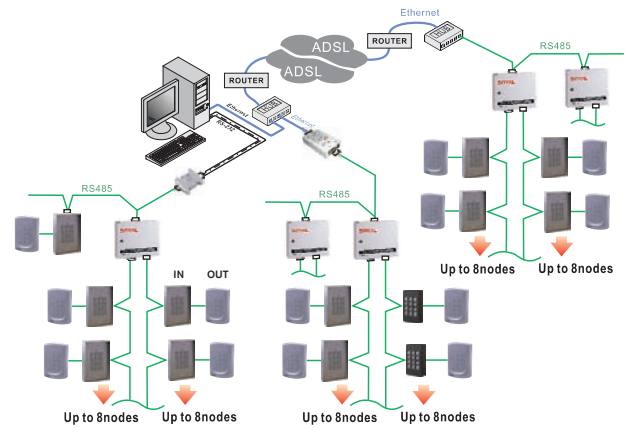
Specification			
Mode No.	M4	M6 (Stand-alone)	M8*
User Capacity	1,024	65,536	1,024
Event Log	1,200	-	1,200
Access Mode	Networkable or Stand-alone 5 Digit User address + 4 Digit Individual Passcode	Stand Alone Only 4 Digit Common Code	Networkable or Stand-alone 4 Digit Individual Passcode *Default
Supports	Stand-alone / Networking		
Power Requirement	9-18V AC/DC		
Power Consumption	< 3W		
Communication Interface	Host Connection RS485		
Baud Rate	9600bps (N, 8, 1)		
Environment	-20°C to +75°C		
DI Digital Input	Egress Button + Door Sensor		
DO Digital Output	1 Door Relay Output 3A 5PCO		
Transistor Output	Duress / Alarm / Arming LED		
Door Relay / Time	2A 30VDC / Toggle or 0.1-600 sec		
Anti-pass Back	Yes with Wiegand keypad AR-721K		
Alarm Relay / Time	Toggle or 1-600 sec		
Tamper Resist. Switch	Limit Switch (From C)		
Serial Out	TTL (4800 bps, N, 8, 1)		
Waterproof	IP65		
Indicator	A bi-colour LED and 1 buzzer		
Colour	Dark Pearl Grey		
Dimensions (mm)	PBT only: 114(H) x 65(W) x 28(D) Metal Box: 150(H) x 83(W) x 50(D)		
Housing material	PBT Keypad Housing Metal Box: 316 Stainless Steel		

• Stand-Alone

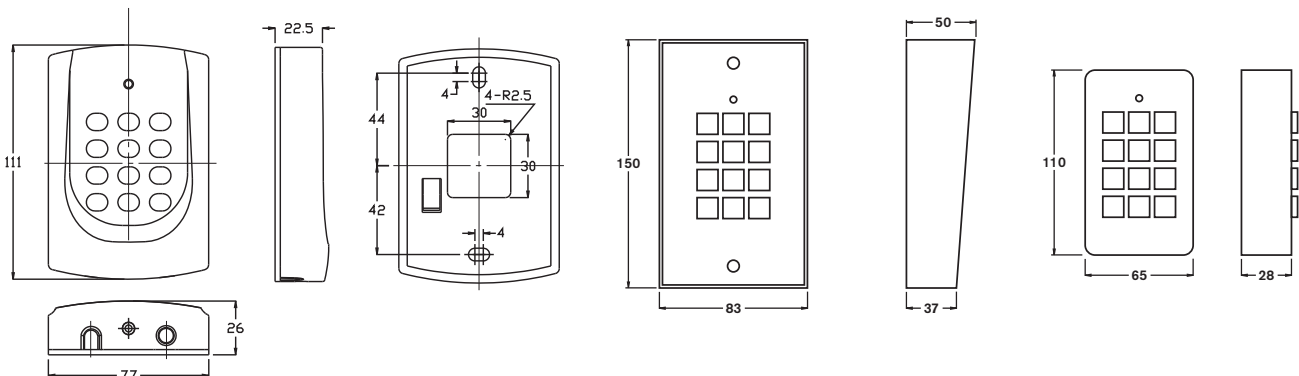


K50i Versions	
Complete Keypad	Equivalent to Previous Model
K50P - Plastic Surface Mount	K50
K50F - Steel Flush Mount (Requires double gang flush box, ordered separately)	K50S
K50CS Steel Surface Mount (Purchase K50F & K51S)	K50C
To add K50i to panel, use suffix /K	Suffix /K

System Architecture



Dimensions



SYSTEM ARCHITECTURE

