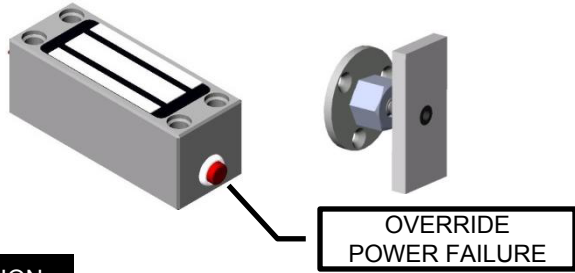


# ELECTROMAGNETIC LOCK INSTALL INSTRUCTION

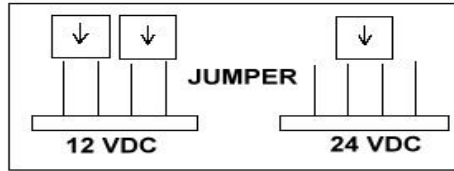
## AR-0180M



### SPECIFICATION

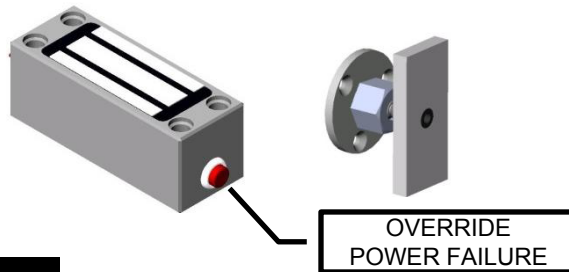
	AR-0180M
INPUT VOLTAGE	12 VDC to 24 VDC
CURRENT DRAW	12 VDC - 200 mA 24VDC - 100 mA
HOLDING FORCE	180 LBS (80Kg)
Dimension (L×W×D)	
SURFACE MAGNET	100×38×38
STRIKE PLATE	75×32×52 mm

### JUMPER SETTING



# ELECTROMAGNETIC LOCK INSTALL INSTRUCTION

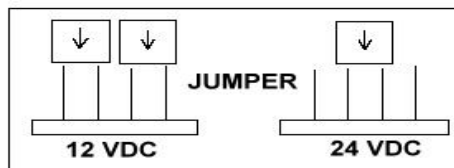
## AR-0180M



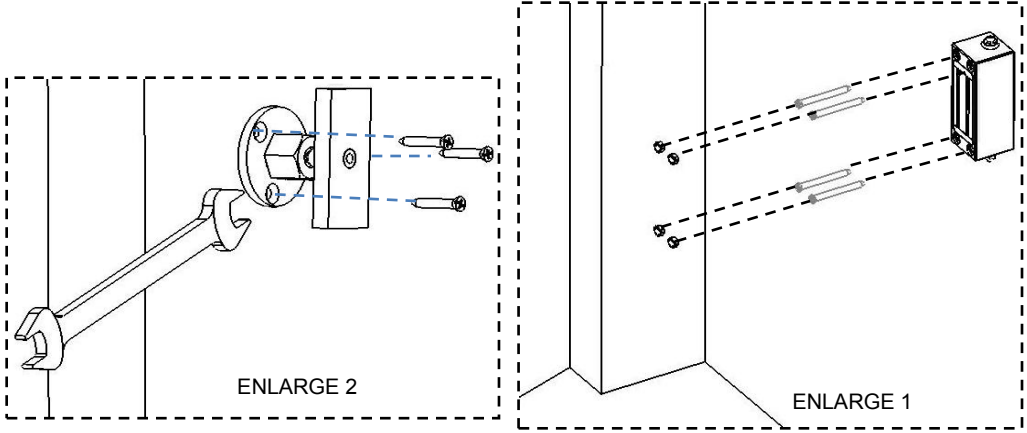
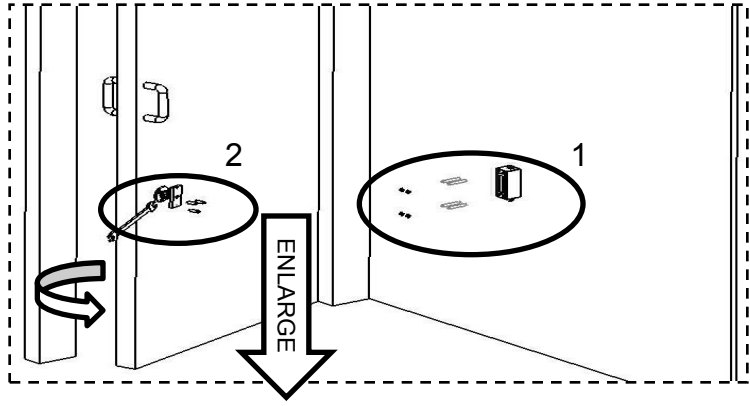
### SPECIFICATION

	AR-0180M
INPUT VOLTAGE	12 VDC to 24 VDC
CURRENT DRAW	12 VDC - 200 mA 24VDC - 100 mA
HOLDING FORCE	180 LBS (80Kg)
Dimension (L×W×D)	
SURFACE MAGNET	100×38×38
STRIKE PLATE	75×32×52 mm

### JUMPER SETTING



AR-0180M ASSEMBLY



AR-0180M ASSEMBLY

