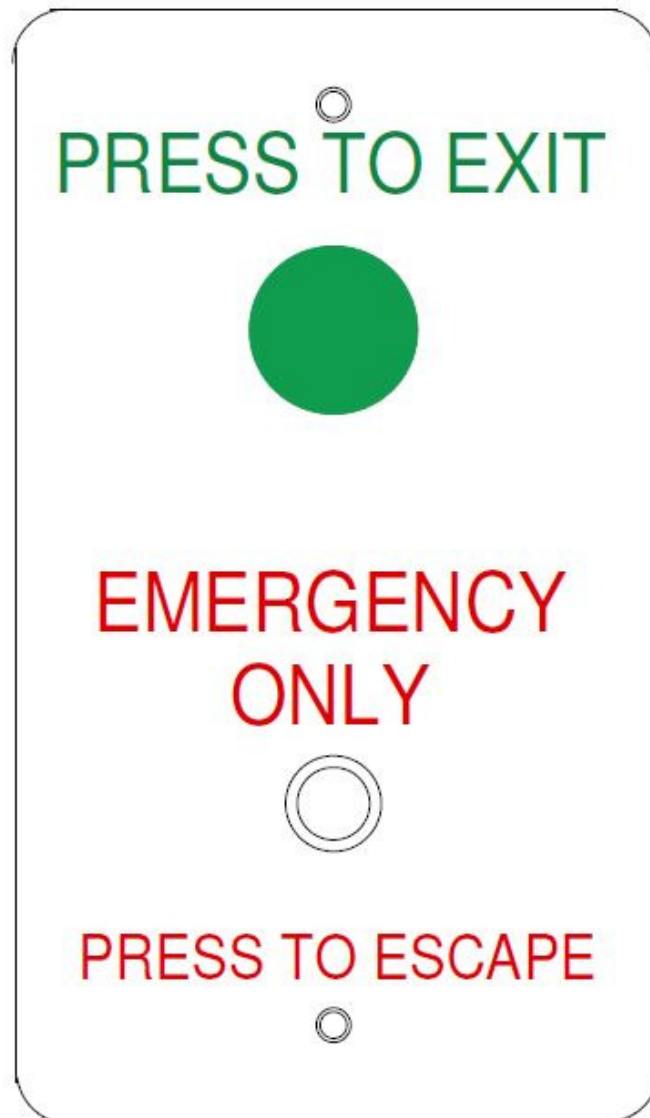


VFET2



- Audio & Video Door Entry Systems
- Access Control Systems
- Low Rise and Concierge Based Systems
- Audio Intercom

VFET2

The VFET2 Is designed to provide a normal request to exit function via the Press to Exit button with an additional timed emergency exit facility via the Emergency Only Press to Escape button.

The Press to Exit button has a normally open contact for triggering the Access control system and a normally closed contact for breaking the supply to the locking device.

The Emergency only press to escape button has a normally closed contact for breaking the supply to the locking device and will also trigger a timed relay that can release the door for a preset time period (1 – 9999 seconds)

The timer relay board requires it's own 12V DC power supply. The power LED will illuminate when power is connected to the board.

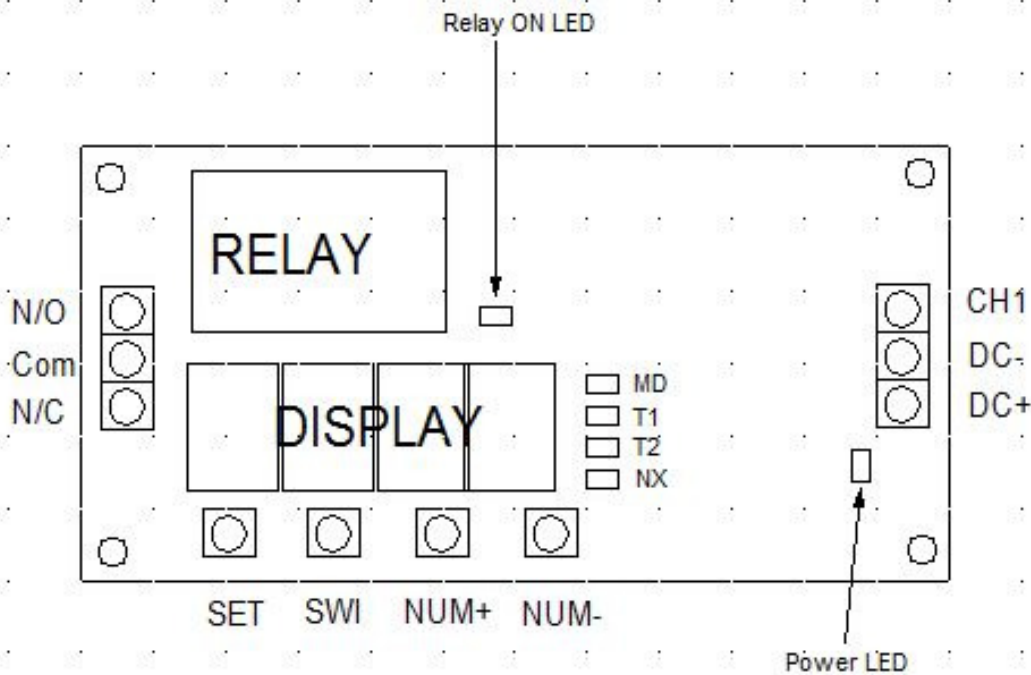
The time delay is preset to 6 minutes (360 seconds)

To vary or view the delay time proceed as follows:

1. Press the Set button briefly, the display will now show the selected function (--12) LED MD should now be flashing.
2. While the display is ON press and hold the Set button until the last digit on the display flashes, release the Set button.
Press the Set button again briefly, this will now show the **preset delay time** (for example 0360 seconds = 6 minutes) the last digit on the display should be flashing and T1 should be on. If the time is not to be changed proceed to step 4.
3. Press SW1 to select the digit you want to change.
Use Num+ and Num- to set the digit to the desired value.
Press SW1 repeatedly to select other digits as required.
(The total time can be set between 0001 seconds and 9999 seconds)
4. When the required time is showing on the display, press and hold the Set button, until the display is showing the selected function (--12) LED MD should now be flashing.
5. Press the Set button again to switch off the display.

To test the set time press the 'PRESS TO ESCAPE' button, check that the 'Blue' Relay on LED illuminates. To check the time remaining press the Set button briefly.

- Audio & Video Door Entry Systems
- Access Control Systems
- Low Rise and Concierge Based Systems
- Audio Intercom



The VFE2 is mounted on a 50mm deep double socket outlet back box for flush mounting. Once the relevant connections have been made to the terminal block and the time delay has been set to the desired value mount the timer board centrally in the back box (see next page for photo) using the self adhesive pillars provided. Make sure nothing fouls the timer pcb as the faceplate and buttons are secured in place. Cable entries to the back box should be to the upper or lower sections of the back box, not in the area of the timer pcb.

- Audio & Video Door Entry Systems
- Access Control Systems
- Low Rise and Concierge Based Systems
- Audio Intercom

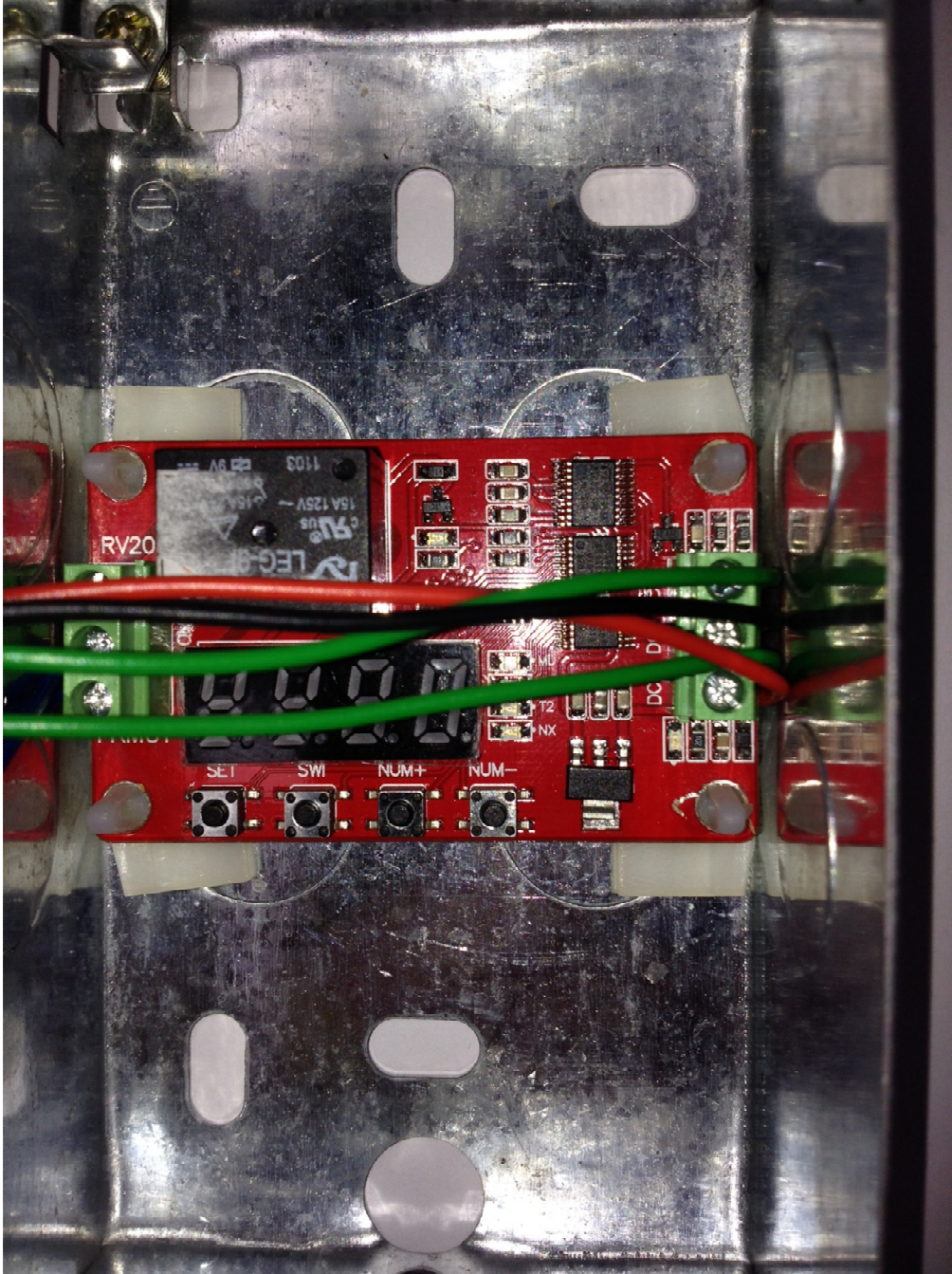
Southern Office
 Raytel House, 1-5 Cutlers Road,
 South Woodham Ferrers,
 Chelmsford,
 Essex CM3 5WA

Sales: 01245 428510
Technical: 01245 428511
General: 01245 428512
Fax: 01245 428515

Northern Office
 20-23 Woodside Place,
 Glasgow,
 Strathclyde G3 7QL

Tel: 0141 582 1275

Email: sales@raytelsecurity.co.uk
Web: www.raytelsecurity.co.uk



- Audio & Video Door Entry Systems
- Access Control Systems
- Low Rise and Concierge Based Systems
- Audio Intercom

AUTHORISED UK
 DISTRIBUTORS

EDVEX
 VIMAR group

SOYAL



CERTIFICATE
 NO. FS12165

Directors: R. Lawrence (Managing),
 D. G. Brookes

Registered Office: As above address.
 No. 1280393.

VAT No. GB 394 9607 00